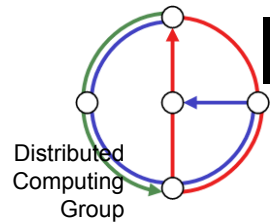


# Chapter 8 MOBILE IP AND TCP



Mobile Computing  
Summer 2003

## Overview

- Network Protocols / Mobile IP
  - Motivation
  - Data transfer
  - Encapsulation
  - Problems
  - DHCP
- Mobile Transport Layer / TCP
  - Motivation
  - Various TCP mechanisms



## Motivation for Mobile IP

- Routing
  - based on IP destination address, network prefix (e.g. 129.132.13) determines physical subnet
  - change of physical subnet implies change of IP address to have a topological correct address (standard IP) or needs special entries in the routing tables
- Changing the IP-address?
  - adjust the host IP address depending on the current location
  - almost impossible to find a mobile system, DNS updates are too slow
  - TCP connections break
  - security problems
- Change/Add routing table entries for mobile hosts?
  - worldwide!
  - does not scale with the number of mobile hosts and frequent changes in their location

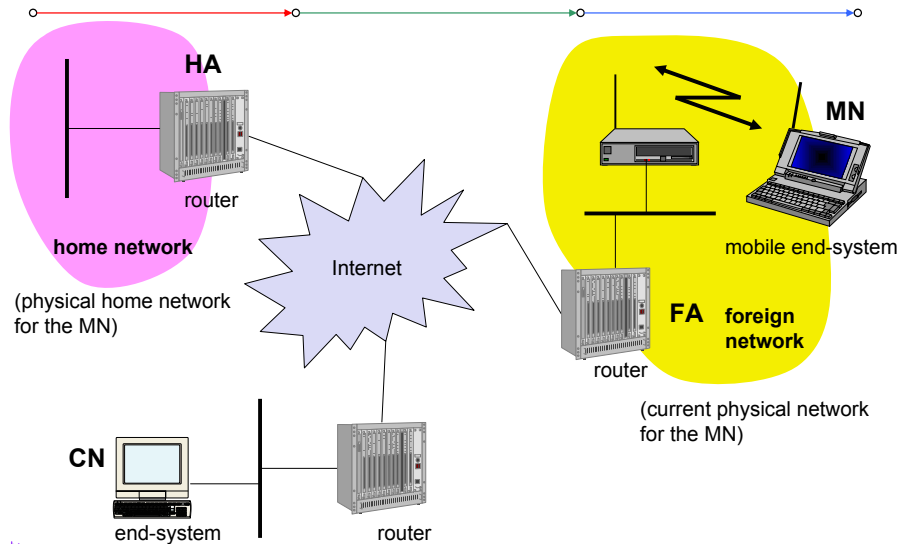


## Requirements to Mobile IP (RFC 2002)

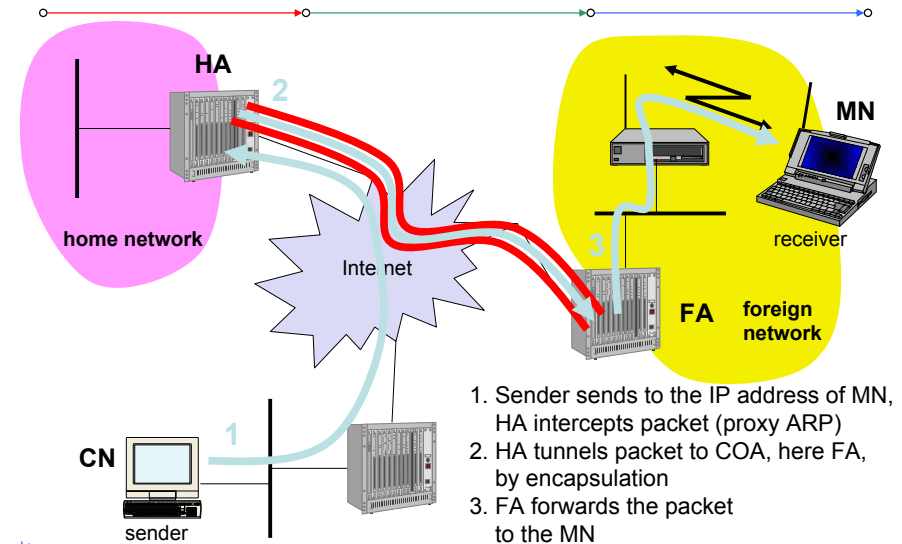
- Compatibility
  - support of the same layer 2 protocols as IP
  - no changes to current end-systems and routers required
  - mobile end-systems can communicate with fixed systems
- Transparency
  - mobile end-systems keep their IP address
  - continuation of communication after interruption of link possible
  - point of connection to the fixed network can be changed
- Efficiency and scalability
  - only little additional messages to the mobile system required (connection typically via a low bandwidth radio link)
  - world-wide support of a large number of mobile systems
- Security
  - authentication of all registration messages



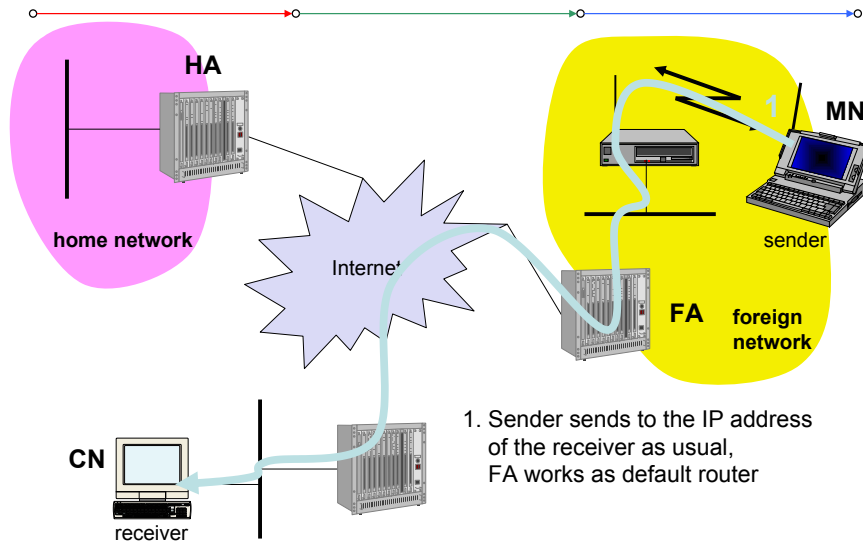
## Example network



## Data transfer to the mobile system



## Data transfer from the mobile system

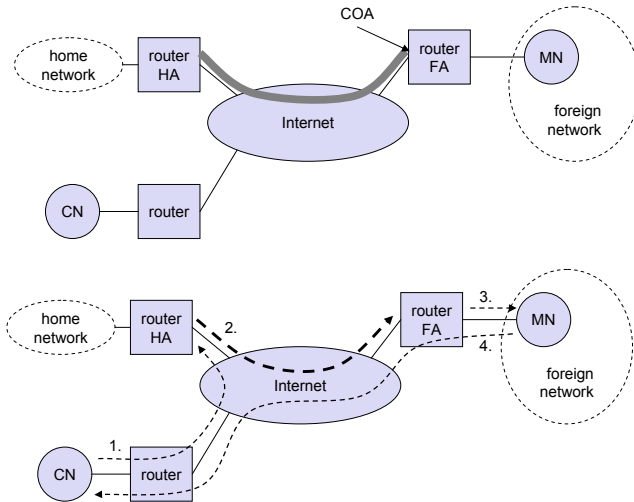


## Terminology

- **Mobile Node (MN)**
  - system (node) that can change the point of connection to the network without changing its IP address
- **Home Agent (HA)**
  - system in the home network of the MN, typically a router
  - registers the location of the MN, tunnels IP datagrams to the COA
- **Foreign Agent (FA)**
  - system in the current foreign network of the MN, typically a router
  - typically the default router for the MN
- **Care-of Address (COA)**
  - address of the current tunnel end-point for the MN (at FA or MN)
  - actual location of the MN from an IP point of view
  - can be chosen, e.g., via DHCP
- **Correspondent Node (CN)**



## Overview



## Network integration

- Agent Advertisement
  - HA and FA periodically send advertisement messages into their physical subnets
  - MN listens to these messages and detects, if it is in the home or a foreign network (standard case for home network)
  - MN reads a COA from the FA advertisement messages
- Registration (always limited lifetime!)
  - MN signals COA to the HA via the FA, HA acknowledges via FA to MN
  - these actions have to be secured by authentication
- Advertisement
  - HA advertises the IP address of the MN (as for fixed systems), i.e. standard routing information
  - routers adjust their entries, these are stable for a longer time (HA responsible for a MN over a longer period of time)
  - packets to the MN are sent to the HA,
  - independent of changes in COA/FA



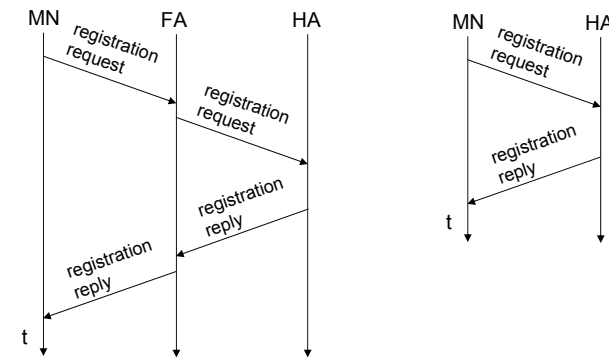
## Agent advertisement

0	7	8	15	16	23	24	31
type		code		checksum			
#addresses		addr. size		lifetime			
router address 1							
preference level 1							
router address 2							
preference level 2							
...							
type		length		sequence number			
registration lifetime		R B H F M G V		reserved			
COA 1							
COA 2							
...							



## Registration

- COA @ FA:
- COA @ MN:

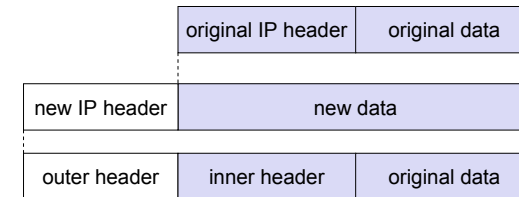


## Mobile IP registration request

0	7	8	15	16	23	24	31		
type		S	B	D	M	G	V	rsv	lifetime
home address									
home agent									
COA									
identification									
extensions ...									



## Tunneling and Encapsulation



## IP-in-IP Encapsulation

- Mandatory in RFC 2003
- tunnel between HA and COA

ver.	IHL	TOS	length	
IP identification		flags	fragment offset	
TTL	IP-in-IP		IP checksum	
<b>IP address of HA</b>				
<b>Care-of address COA</b>				
ver.	IHL	TOS	length	
IP identification		flags	fragment offset	
TTL	lay. 4 prot.	IP checksum		
<b>IP address of CN</b>				
<b>IP address of MN</b>				
TCP/UDP/ ... payload				



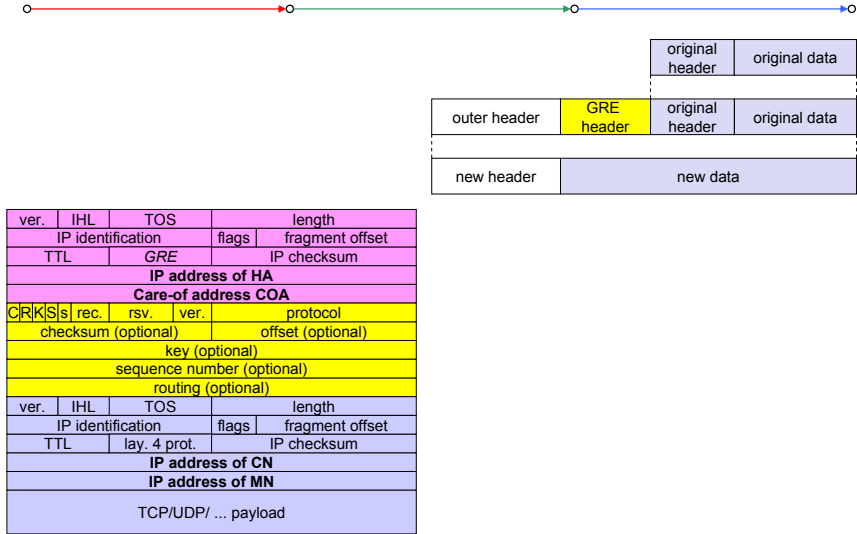
## Minimal Encapsulation

- optional
- avoids repetition of identical fields such as TTL, IHL, version, TOS
- only applicable for unfragmented packets, no space left for fragment identification

ver.	IHL	TOS	length	
IP identification		flags	fragment offset	
TTL	min. encap.		IP checksum	
<b>IP address of HA</b>				
<b>care-of address COA</b>				
lay. 4 protoc.	S	reserved	IP checksum	
<b>IP address of MN</b>				
<b>IP address of CN (only if S=1)</b>				
TCP/UDP/ ... payload				



## Generic Routing Encapsulation

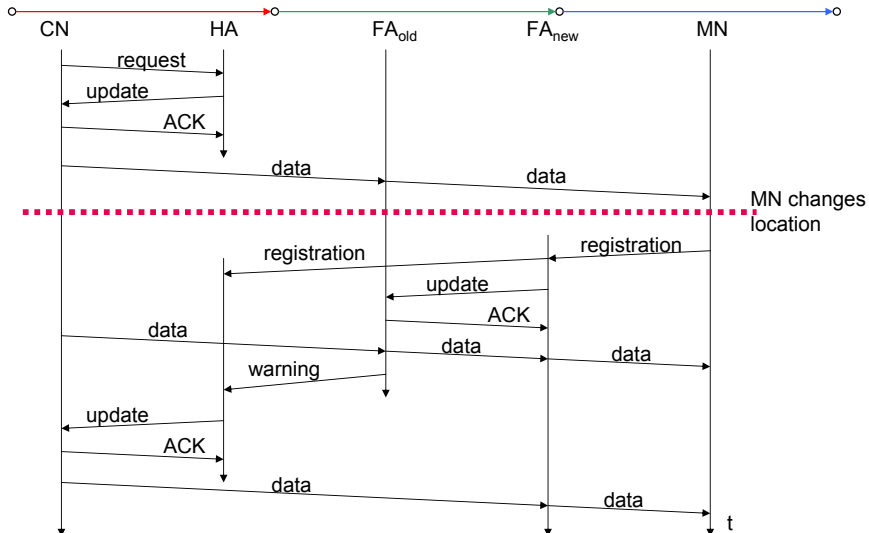


## Optimization of packet forwarding

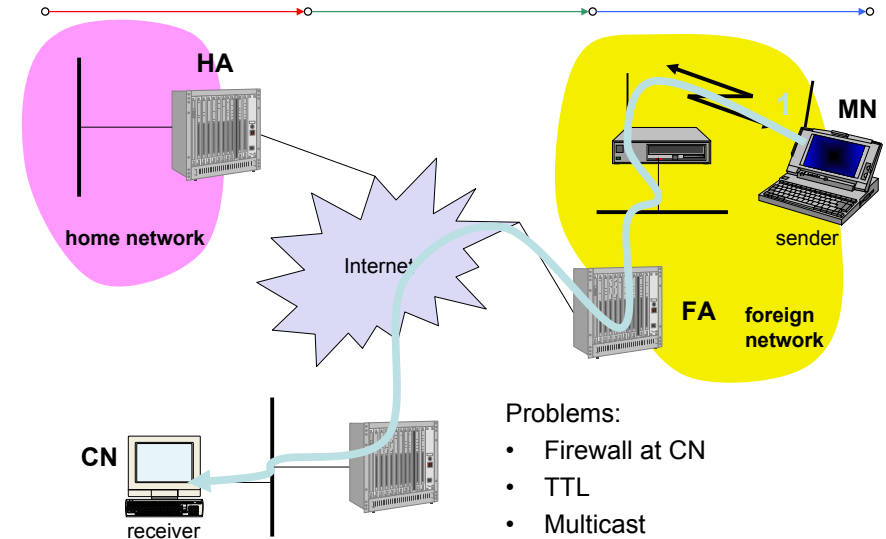
- Triangular Routing
  - sender sends all packets via HA to MN
  - higher latency and network load
- “Solutions”
  - sender learns the current location of MN
  - direct tunneling to this location
  - HA informs a sender about the location of MN
  - big security problems
- Change of FA
  - packets on-the-fly during the change can be lost
  - new FA informs old FA to avoid packet loss, old FA now forwards remaining packets to new FA
  - this information also enables the old FA to release resources for the MN



## Change of foreign agent



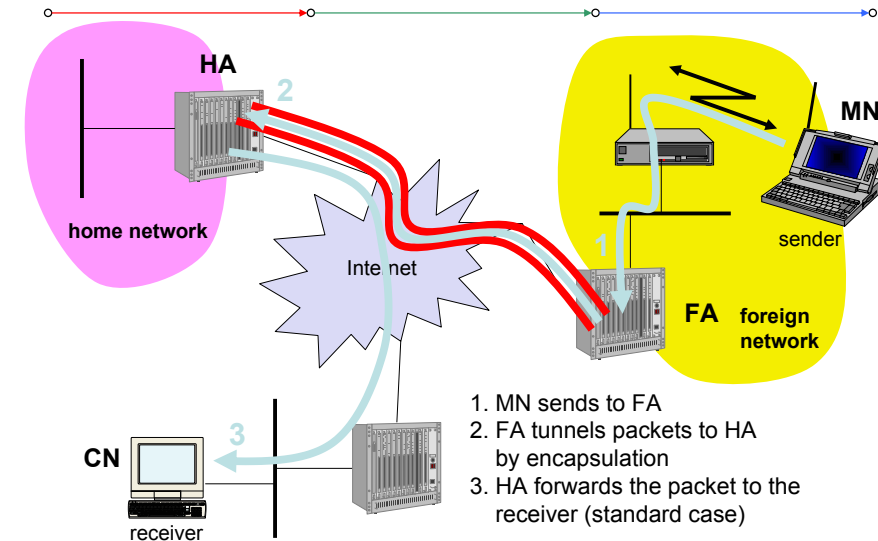
## Data transfer from the mobile system



### Problems:

- Firewall at CN
- TTL
- Multicast

## Reverse tunneling (RFC 2344)



## Mobile IP with reverse tunneling

- Router accept often only “topologically correct” addresses (firewall!)
  - a packet from the MN encapsulated by the FA is now topologically correct
  - furthermore multicast and TTL problems solved (TTL in the home network correct, but MN is too far away from the receiver)
- Reverse tunneling does not solve
  - problems with *firewalls*, the reverse tunnel can be abused to circumvent security mechanisms (tunnel hijacking)
  - optimization of data paths, i.e. packets will be forwarded through the tunnel via the HA to a sender (double triangular routing)
- Reverse tunneling is backwards compatible
  - the extensions can be implemented easily and cooperate with current implementations without these extensions



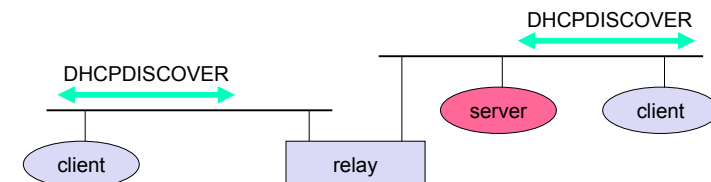
## Mobile IP and IPv6

- Mobile IP was developed for IPv4, but IPv6 simplifies the protocols
  - security is integrated and not an add-on, authentication of registration is included
  - COA can be assigned via auto-configuration (DHCPv6 is one candidate), every node has address auto-configuration
  - no need for a separate FA, **all** routers perform router advertisement which can be used instead of the special agent advertisement
  - MN can signal a sender directly the COA, sending via HA not needed in this case (automatic path optimization)
  - „soft“ hand-over, i.e. without packet loss, between two subnets is supported
    - MN sends the new COA to its old router
    - the old router encapsulates all incoming packets for the MN and forwards them to the new COA
    - authentication is always granted

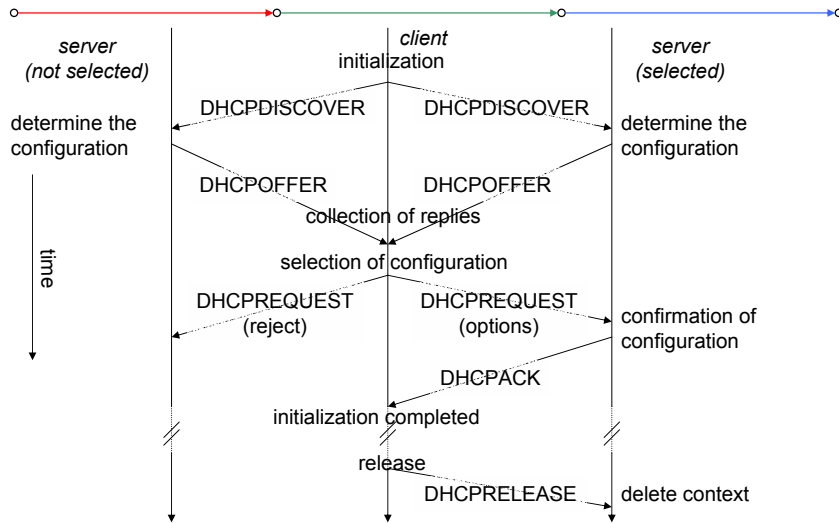


## DHCP: Dynamic Host Configuration Protocol

- Application
  - simplification of installation and maintenance of networked computers
  - supplies systems with all necessary information, such as IP address, DNS server address, domain name, subnet mask, default router etc.
  - enables automatic integration of systems into an Intranet or the Internet, can be used to acquire a COA for Mobile IP
- Client/Server-Model
  - the client sends via a MAC broadcast a request to the DHCP server (might be via a DHCP relay)



## DHCP - protocol mechanisms



## DHCP characteristics

- Server
  - several servers can be configured for DHCP, coordination not yet standardized (i.e., manual configuration)
- Renewal of configurations
  - IP addresses have to be requested periodically, simplified protocol
- Options
  - available for routers, subnet mask, NTP (network time protocol) timeserver, SLP (service location protocol) directory, DNS (domain name system)
- Security problems
  - no authentication of DHCP information specified



## TCP Overview

- Transport control protocols typically designed for
  - Fixed end-systems in wired networks
- Research activities
  - Performance
  - Congestion control
  - Efficient retransmissions
- TCP congestion control
  - packet loss in fixed networks typically due to (temporary) overload situations
  - router have to discard packets as soon as the buffers are full
  - TCP recognizes congestion only indirectly via missing acknowledgements, retransmissions unwise, they would only contribute to the congestion and make it even worse



## TCP slow-start

- sender calculates a congestion window for a receiver
- start with a congestion window size equal to one segment
- exponential increase\* of the congestion window up to the congestion threshold, then linear increase
- missing acknowledgement causes the reduction of the congestion threshold to one half of the current congestion window
- congestion window starts again with one segment

\*slow-start vs. exponential increase: window is increased by one for each acknowledgement, that is,  $1 \rightarrow 2 \rightarrow 4 \rightarrow 8 \dots$ . In other words, the slow-start mechanism is rather a "quick-start".



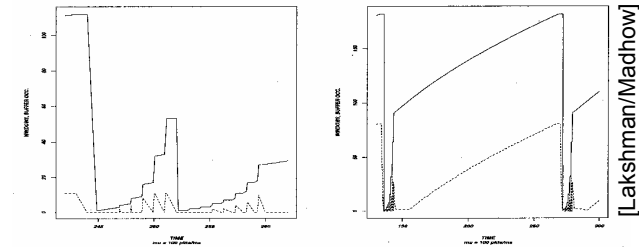
## TCP fast retransmit/fast recovery

- TCP sends an acknowledgement only after receiving a packet
- If a sender receives several acknowledgements for the same packet, this is due to a gap in received packets at the receiver
- Sender can retransmit missing packets (fast retransmit)
- Also, the receiver got all packets up to the gap and is actually receiving packets
- Therefore, packet loss is not due to congestion, continue with current congestion window (fast recovery)
- In the following simplified analysis, we do consider neither fast retransmit nor fast recovery.



## TCP on lossy (wireless) link

- Without fast retransmit/fast recovery



Very high loss probability

High loss probability



## Simple analysis model for lossy TCP

- Segment loss probability  $q = 1-p$
- We are interested in the throughput  $T$
- If there are no losses (and all ACKs are received in time):
  - Number of segments  $S$  first doubles up to threshold  $W$  (slow start phase)
  - Number of segments  $S$  is incremented after  $S$  successful ACKs
  - At some point we reach the bandwidth of the channel  $B$
- If there is a loss
  - We go back to  $S = 1$



## Simple analysis of lossy TCP

- For not too high error probability  $q$  we are usually in the congestion mode (that is: not the slow start mode).
- The expected number of successful transmission  $E$  before we get an error is
 
$$E = \sum_{i=1}^{\infty} i \cdot p^i (1-p) = \frac{p}{1-p}$$
- In the equilibrium, we are in the states  $1, 2, 3, \dots, S-1, S$ , and then back to 1 because we have a missing ACK, that is, we have  $1+2+\dots+S \approx S^2/2$  successful transmissions.
- With  $S^2/2 = E = p/q$  we get  $T = S/2 = \sqrt{1/2 \cdot p/q} = \Theta(1/\sqrt{q})$ , for  $p = \Theta(1)$

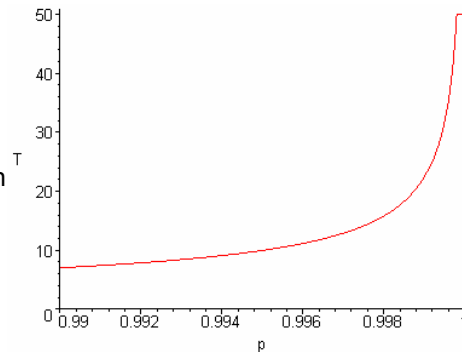




## Lossy TCP: Graphical Interpretation

$$T(p) = \min \left( B, \sqrt{\frac{p}{2(1-p)}} \right)$$

- Plot of  $T(p)$ , with  $B = 50$



- Note that 1% faulty transmissions is enough to degrade the throughput to about 14% of the bandwidth
- 10% error rate gives about 4% of possible bandwidth.
- The higher the bandwidth, the worse the relative loss.



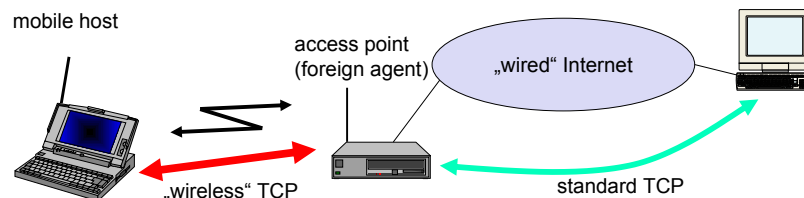
## Mobility and TCP

- TCP assumes congestion if packets are dropped
  - typically wrong in wireless networks, here we often have packet loss due to *transmission errors*
  - furthermore, *mobility* itself can cause packet loss, if e.g. a mobile node roams from one access point (e.g. foreign agent in Mobile IP) to another while there are still packets in transit to the wrong access point and forwarding is not possible
- The performance of an unchanged TCP degrades severely
  - however, TCP cannot be changed fundamentally due to the large base of installation in the fixed network, TCP for mobility has to remain compatible
  - the basic TCP mechanisms keep the whole Internet together

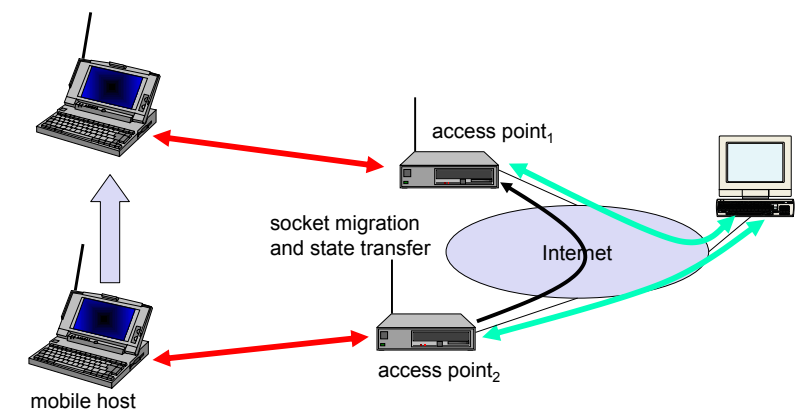


## Indirect TCP (I-TCP)

- segments the connection
  - no changes to the TCP protocol for hosts connected to the wired Internet, millions of computers use (variants of) this protocol
  - optimized TCP protocol for mobile hosts
  - splitting of the TCP connection at, e.g., the foreign agent into two TCP connections, no real end-to-end connection any longer
  - hosts in the fixed part of the net do not notice the characteristics of the wireless part



## I-TCP socket and state migration



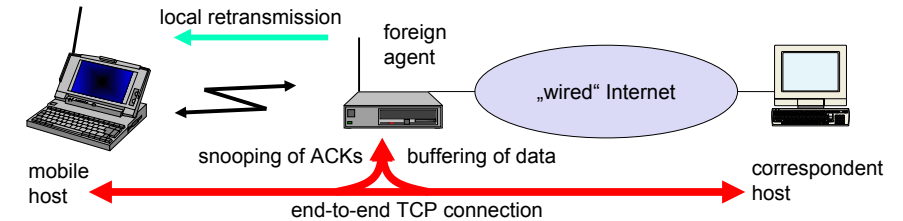
## Indirect TCP Advantages and Disadvantages

- + no changes in the fixed network necessary, no changes for the hosts (TCP protocol) necessary, all current optimizations to TCP still work
- + transmission errors on the wireless link do not propagate into the fixed network
- + simple to control, mobile TCP is used only for one hop, between a foreign agent and a mobile host
- + therefore, a very fast retransmission of packets is possible, the short delay on the mobile hop is known
- loss of end-to-end semantics, an acknowledgement to a sender does now not any longer mean that a receiver really got a packet, foreign agents might crash
- higher latency possible due to buffering of data with the foreign agent and forwarding to a new foreign agent
- high trust at foreign agent; end-to-end encryption impossible



## Snooping TCP

- Transparent extension of TCP within the foreign agent
  - buffering of packets sent to the mobile host
  - lost packets on the wireless link (both directions!) will be retransmitted immediately by the mobile host or foreign agent, respectively (so called "local" retransmission)
  - the foreign agent therefore "snoops" the packet flow and recognizes acknowledgements in both directions, it also filters ACKs
  - changes of TCP only within the foreign agent



## Snooping TCP

- Data transfer to the mobile host
  - FA buffers data until it receives ACK of the MH, FA detects packet loss via duplicated ACKs or time-out
  - fast retransmission possible, transparent for the fixed network
- Data transfer from the mobile host
  - FA detects packet loss on the wireless link via sequence numbers, FA answers directly with a NACK to the MH
  - MH can now retransmit data with only a very short delay
- Integration of the MAC layer
  - MAC layer often has similar mechanisms to those of TCP
  - thus, the MAC layer can already detect duplicated packets due to retransmissions and discard them
- Problems
  - snooping TCP does not isolate the wireless link as good as I-TCP
  - snooping might be useless depending on encryption schemes



## Mobile TCP

- Special handling of lengthy and/or frequent disconnections
  - M-TCP splits as I-TCP does
    - unmodified TCP fixed network to supervisory host (SH)
    - optimized TCP SH to MH
  - Supervisory host
    - no caching, no retransmission
    - monitors all packets, if disconnection detected
      - set sender window size to 0
      - sender automatically goes into persistent mode
    - old or new SH re-open the window
- + maintains end-to-end semantics, supports disconnection, no buffer forwarding
- does not solve problem of bad wireless link, only disconnections
  - adapted TCP on wireless link; new software needed



## Fast retransmit/fast recovery

- Problem: Change of foreign agent often results in packet loss
    - TCP reacts with slow-start although there is no congestion
  - Solution: Forced fast retransmit
    - as soon as the mobile host has registered with a new foreign agent, the MH sends (three) duplicated acknowledgements on purpose
    - this forces the fast retransmit mode at the communication partners
    - additionally, the TCP on the MH is forced to continue sending with the actual window size and not to go into slow-start after registration
- + simple changes result in significant higher performance
- what a hack...



## Transmission/time-out freezing

- Mobile hosts can be disconnected for a longer time
    - no packet exchange possible, e.g., in a tunnel, disconnection due to overloaded cells or multiplex with higher priority traffic
    - TCP disconnects after time-out completely
  - TCP freezing
    - MAC layer is often able to detect interruption in advance
    - MAC can inform TCP layer of upcoming loss of connection
    - TCP stops sending, but does not assume a congested link
    - MAC layer signals again if reconnected
- + scheme is independent of data
- TCP on mobile host has to be changed, mechanism depends on MAC layer



## Selective retransmission

- TCP acknowledgements are often cumulative
    - ACK n acknowledges correct and in-sequence receipt of packets up to n
    - if single packets are missing quite often a whole packet sequence beginning at the gap has to be retransmitted (go-back-n), thus wasting bandwidth, especially if the bandwidth-delay product is high.
  - Selective retransmission as one solution
    - RFC2018 allows for acknowledgements of single packets, not only acknowledgements of in-sequence packet streams without gaps
    - sender can now retransmit only the missing packets
- + much higher efficiency
- more complex software in a receiver, more buffer needed at the receiver



## Transaction oriented TCP

- TCP phases
    - connection setup, data transmission, connection release
    - using 3-way-handshake needs 3 packets for setup and release, respectively
    - thus, even short messages need a minimum of 7 packets!
  - Transaction oriented TCP
    - RFC1644, T-TCP, describes a TCP version to avoid this overhead
    - connection setup, data transfer and connection release can be combined
    - thus, only 2 or 3 packets are needed
- + Efficiency
- Requires changed TCP



## Comparison of different approaches for a “mobile” TCP

Approach	Mechanism	Advantages	Disadvantages
Indirect TCP	splits TCP connection into two connections	isolation of wireless link, simple	loss of TCP semantics, higher latency at handover
Snooping TCP	“snoops” data and acknowledgements, local retransmission	transparent for end-to-end connection, MAC integration possible	problematic with encryption, bad isolation of wireless link
M-TCP	splits TCP connection, chokes sender via window size	Maintains end-to-end semantics, handles long term and frequent disconnections	Bad isolation of wireless link, processing overhead due to bandwidth management
Fast retransmit/ fast recovery	avoids slow-start after roaming	simple and efficient	mixed layers, not transparent
Transmission/ time-out freezing	freezes TCP state at disconnect, resumes after reconnection	independent of content or encryption, works for longer interrupts	changes in TCP required, MAC dependant
Selective retransmission	retransmit only lost data	very efficient	slightly more complex receiver software, more buffer needed
Transaction oriented TCP	combine connection setup/release and data transmission	Efficient for certain applications	changes in TCP required, not transparent

[Schiller]

